

PRL GLASS SYSTEMS

PL-100 SERIES

ARCHITECTURAL HANDLES

PRL Glass systems
 251 Mason way
 City of industry, CA. 91746
 Phone: 800-433-7044
 Fax: 626-968-9256
 www.prlglass.com



PLDH100F



PLDB100D



PL100A

PLDH100 DUMMY HANDLE

The Dummy handle matches the panic handle configuration and the Deadbolt as well, but Has no locking mechanism.

PLDB100 DEAD BOLT LOCK

The deadbolt handle is offered with keyed cylinders on both the interior & the exterior sides of the door, or with a thumb turn on the interior. An optional top latch bolt will permit the use of electronic strikes for controlled entry systems.

PL100 PANIC EXIT DEVICE

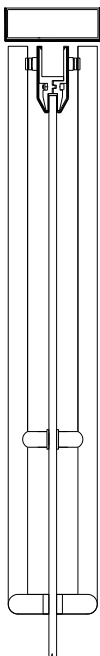
The operating mechanism concealed within the vertical tubing retracts the latch bolt when the interior actuation bar is pushed. Optionally, an exterior keyed access device can be installed to allow entry. A dogging feature defeats locking action during business hours. Electronic strikes are available for use with our panic handles, providing many secured entry options.



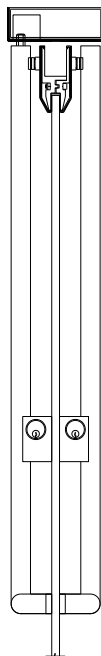
ANSI/BHMA

A 156.3-2008 Grade 1
 UL 305 Certified

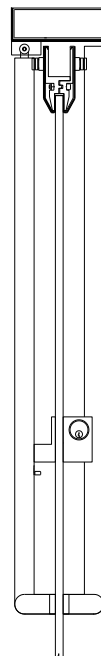
PLDH100-D



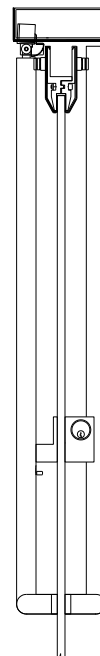
PLDB100-D with
 Manual strike shown
 Optional roller dead latch
 available upon request

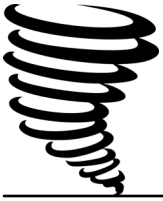


PL100-D with
 Manual strike



PL100-D with
 Electric strike





PRL GLASS SYSTEMS
PL-100 SERIES
ARCHITECTURAL HANDLES

PRL Glass systems
251 Mason way
City of industry, CA. 91746
Phone: 800-433-7044
Fax: 626-968-9256
www.prlglass.com

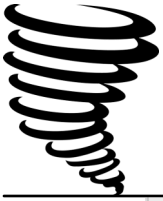
Optional Handle Profiles
for
Panics, Deadbolts, Dummy Handles or Ladder handles



PL100-A

PL101-A

PL102-A



PRL GLASS SYSTEMS

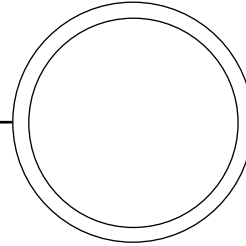
PL-100 SERIES

ARCHITECTURAL HANDLES

PRL Glass systems
251 Mason way
City of industry, CA. 91746
Phone: 800-433-7044
Fax: 626-968-9256
www.prlglass.com



1-1/4 DIA.

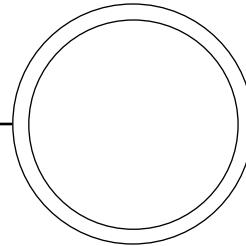


PL100 TRADITIONAL " RADIUS "

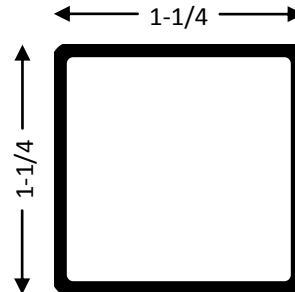
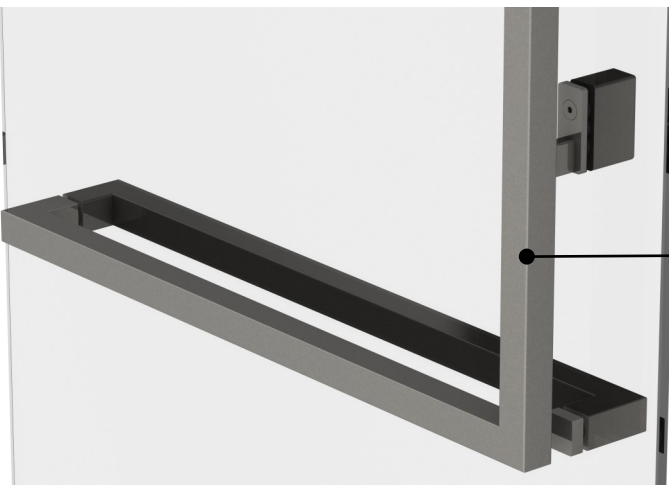
The operating mechanism concealed within the vertical tubing retracts the latch bolt when the interior actuation bar is pushed. Optionally, an exterior keyed access device can be installed to allow entry. A dogging feature defeats locking action during business hours. Electronic strikes are available for use with our panic handles, providing many secured entry options.



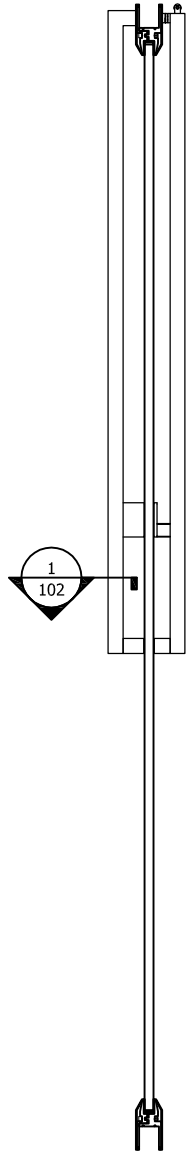
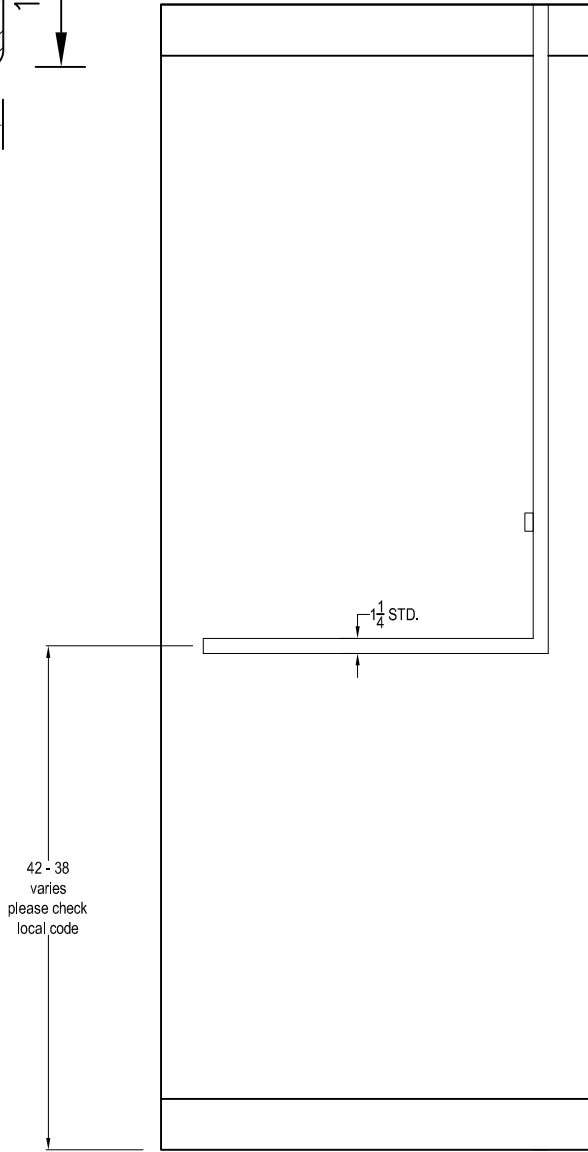
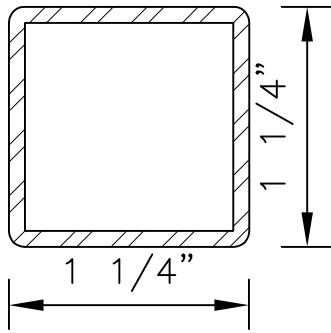
1-1/4 DIA.



PL101 TUBULAR " MITERED "



PL102 SQUARED " MITERED "



PRL GLASS SYSTEMS INC.

Web Site: www.prlglass.com

www.prlaluminum.com

Telephone : (877) 775-25856
Fax No. : (626) 968-95256

251 Mason Way
City of Industry, C.A.

TITLE PL102-D

p-stile door

standard drawings

SCALE XXXXX

DATE 08-29-11

DRAFTPERSON p



P STILE DOOR
PL102-D
PL175DS TOP RAIL
PL175DS BOTTOM RAIL

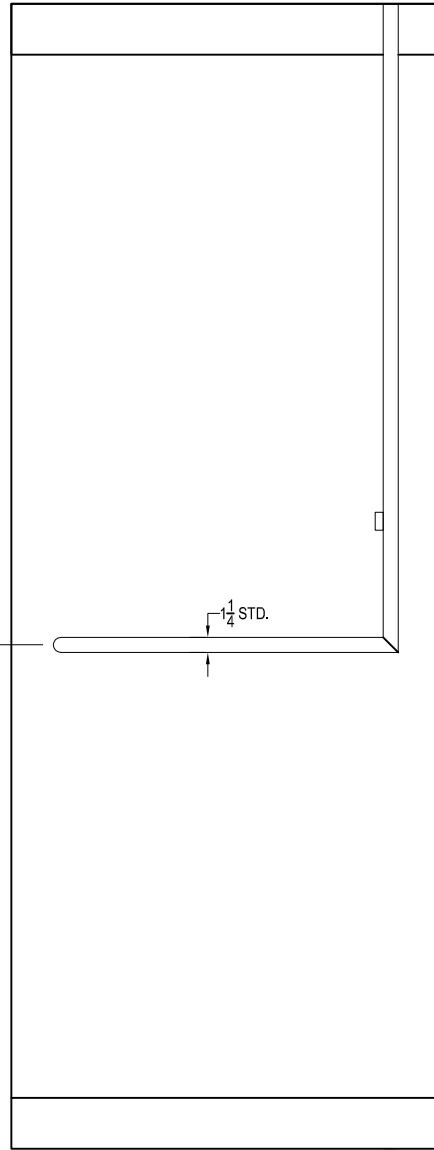
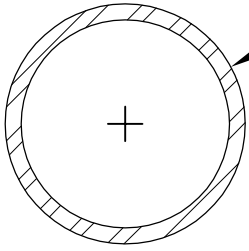
DRAWING NAME
PL100 - SQUARED PANIC DETAILS.dwg

08-29-11

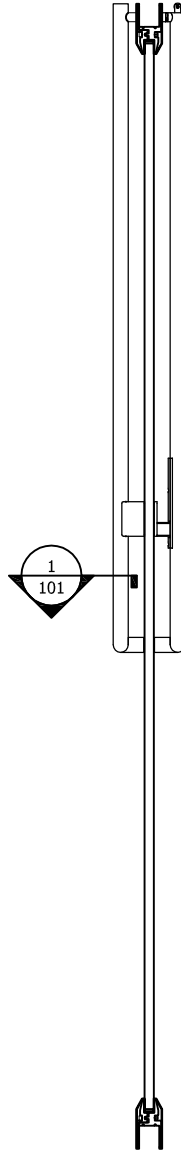
102



Ø1 1/4"



42 - 38
varies
please check
local code



PRL GLASS SYSTEMS INC.

Web Site: www.prlglass.com

www.prlaluminum.com

Telephone : (877) 775-25856
Fax No. : (626) 968-95256

251 Mason Way
City of Industry, C.A.

TITLE PL101-D

p-stile door

standard drawings

SCALE XXXXX

DATE 08-29-11

DRAFTPERSON p

P STILE DOOR
PL101-D
PL175DS TOP RAIL
PL175DS BOTTOM RAIL

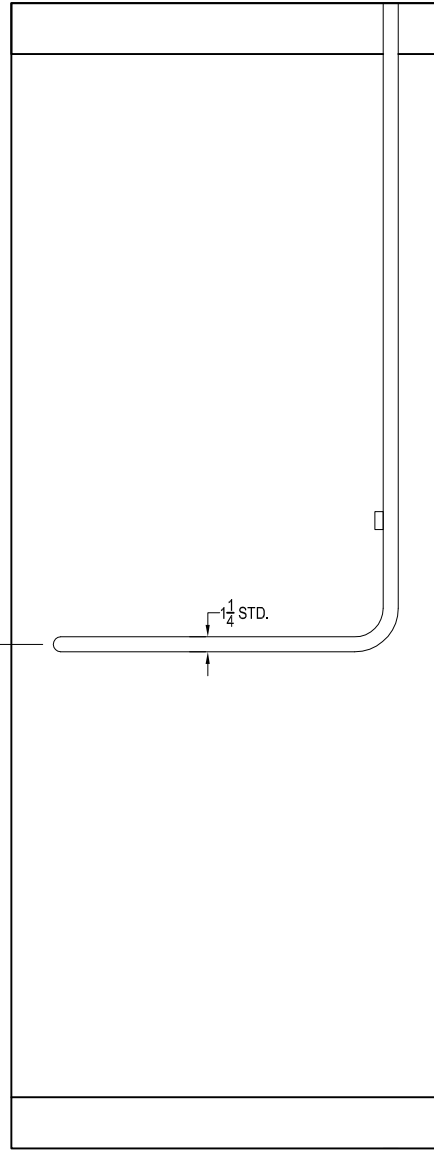
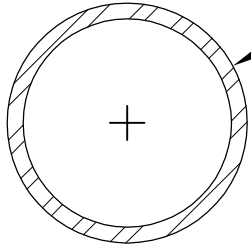
08-29-11

DRAWING NAME
PL100 - SQUARED PANIC DETAILS.dwg

101

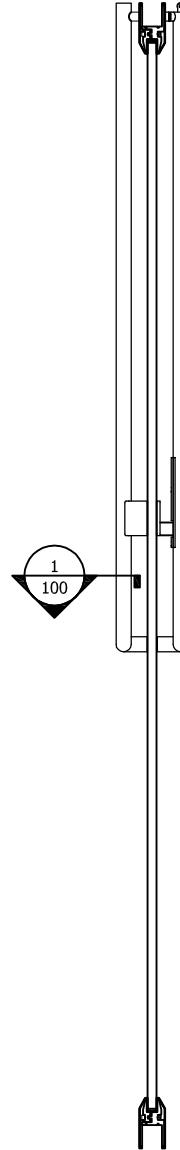


Ø1 1/4"



42 - 38
varies
please check
local code

1/4 STD.



1
100

PRL GLASS SYSTEMS INC.

Web Site: www.prlglass.com

www.prlaluminum.com

Telephone : (877) 775-25856
Fax No. : (626) 968-95256

251 Mason Way
City of Industry, C.A.

TITLE PL100-D

p-stile door

standard drawings

SCALE XXXXX

DATE 08-29-11

DRAFTPERSON p



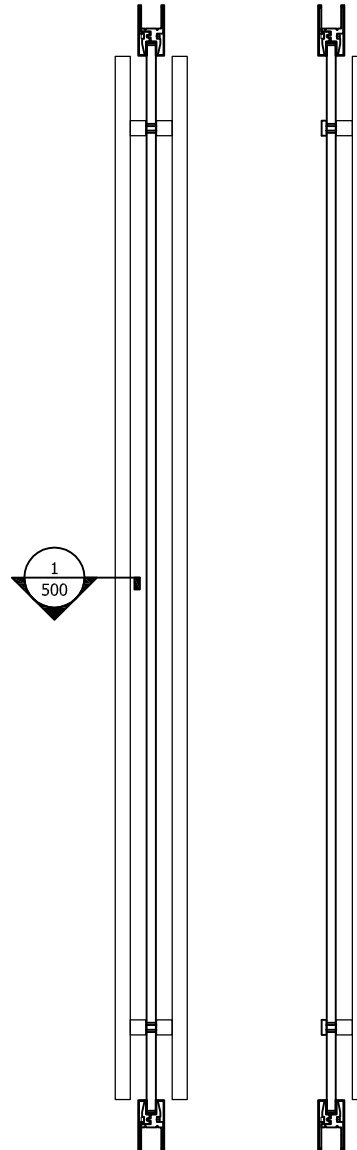
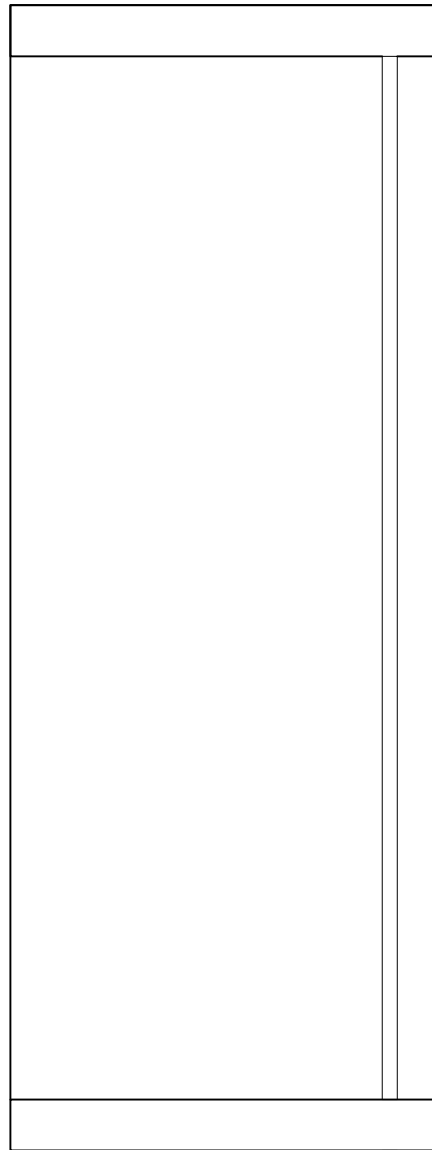
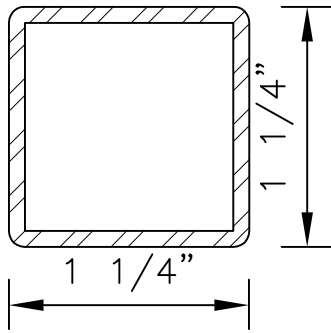
P STILE DOOR
PL100-D
PL175DS TOP RAIL
PL175DS BOTTOM RAIL

DRAWING NAME
PL100 - SQUARED PANIC DETAILS.dwg

08-29-11

100





PRL GLASS SYSTEMS INC.

Web Site: www.prlglass.com

www.prlaluminum.com

Telephone : (877) 775-25856
 Fax No. : (626) 968-95256

251 Mason Way
 City of Industry, C.A.

TITLE LADDER PULL SQUARED

p-stile door

standard drawings

SCALE XXXXX

DATE 08-29-11

DRAFTPERSON p



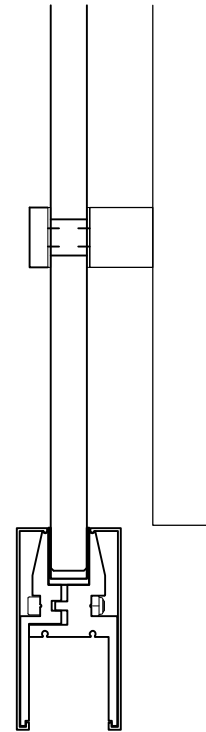
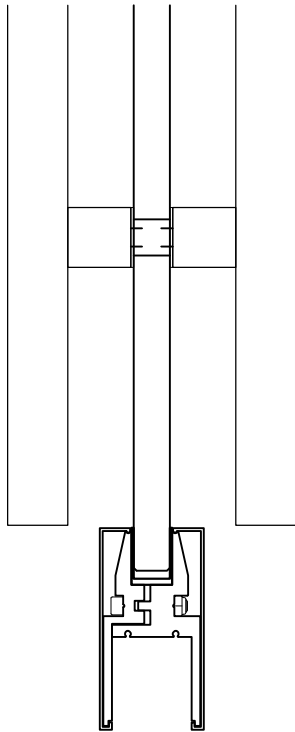
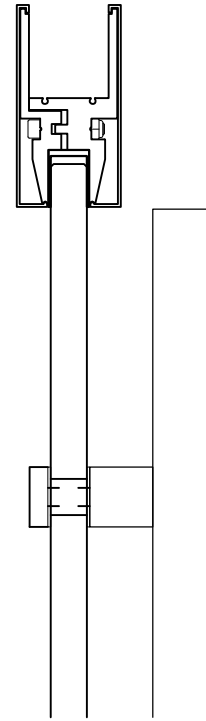
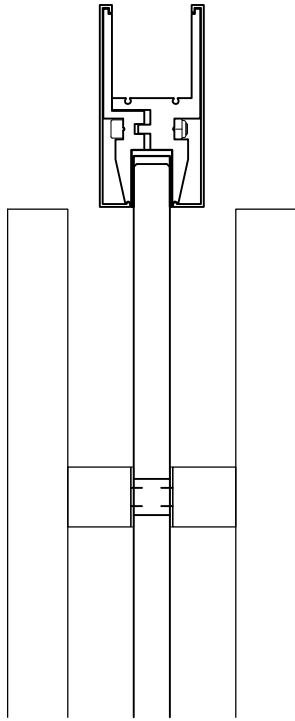
P STILE DOOR
 PL- LADDER PULL-SQUARED
 PL375DS TOP RAIL
 PL375DS BOTTOM RAIL

08-29-11

DRAWING NAME
 PL100 - SQUARED PANIC DETAILS.dwg

500





PRL GLASS SYSTEMS INC.

Web Site: www.prlglass.com

www.prlaluminum.com

Telephone : (877) 775-25856
 Fax No. : (626) 968-95256

251 Mason Way
 City of Industry, C.A.

TITLE LADDER PULL SQUARED

p-stile door

standard drawings

SCALE XXXXX

DATE 08-29-11

DRAFTPERSON p



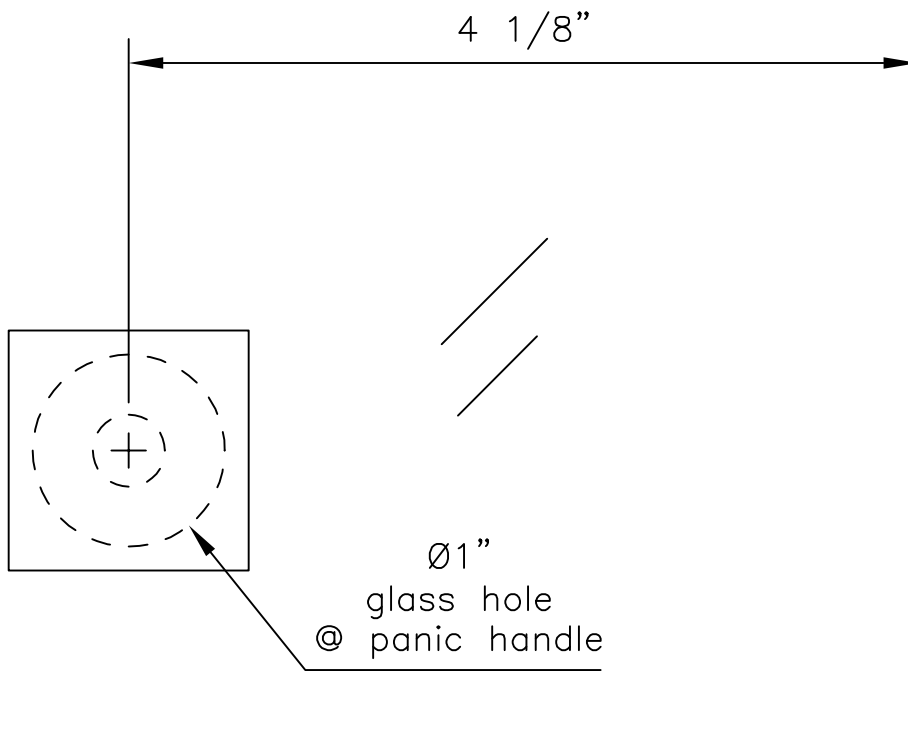
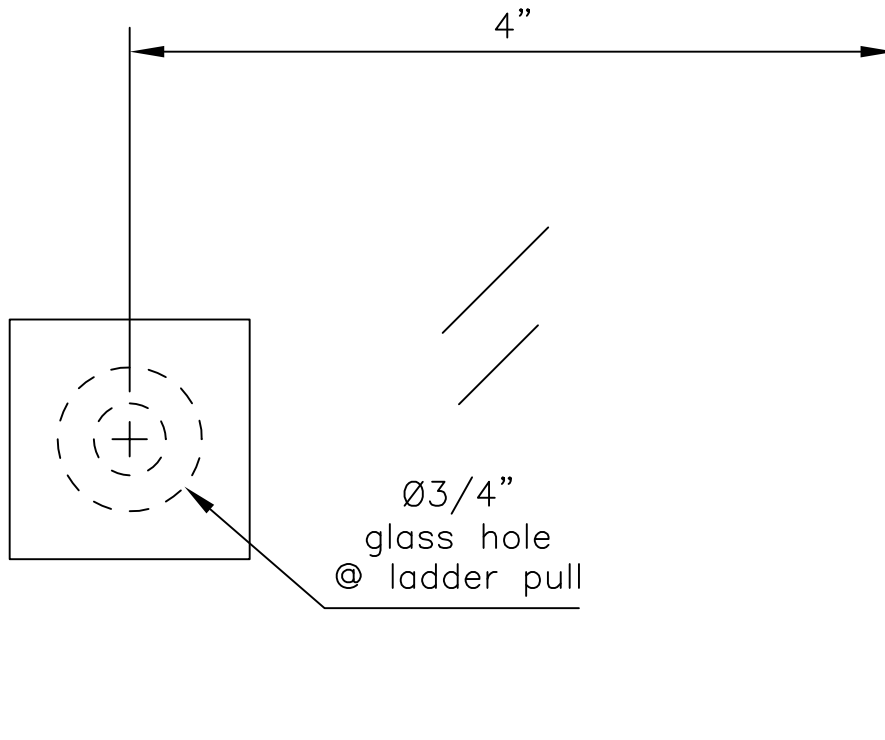
P STILE DOOR
 PL- LADDER PULL-SQUARED
 PL375DS TOP RAIL
 PL375DS BOTTOM RAIL

08-29-11

DRAWING NAME
 PL100 - SQUARED PANIC DETAILS.dwg

500





PRL GLASS SYSTEMS INC.

Web Site: www.prlglass.com

www.prlaluminum.com

Telephone : (877) 775-25856
Fax No. : (626) 968-95256

251 Mason Way
City of Industry, C.A.

TITLE HOLE PREP

standard drawings

SCALE XXXXX

DATE 08-29-11

DRAFTPERSON p



HOLE PREP

DRAWING NAME
PL100 - SQUARED PANIC DETAILS.dwg

08-29-11

500

